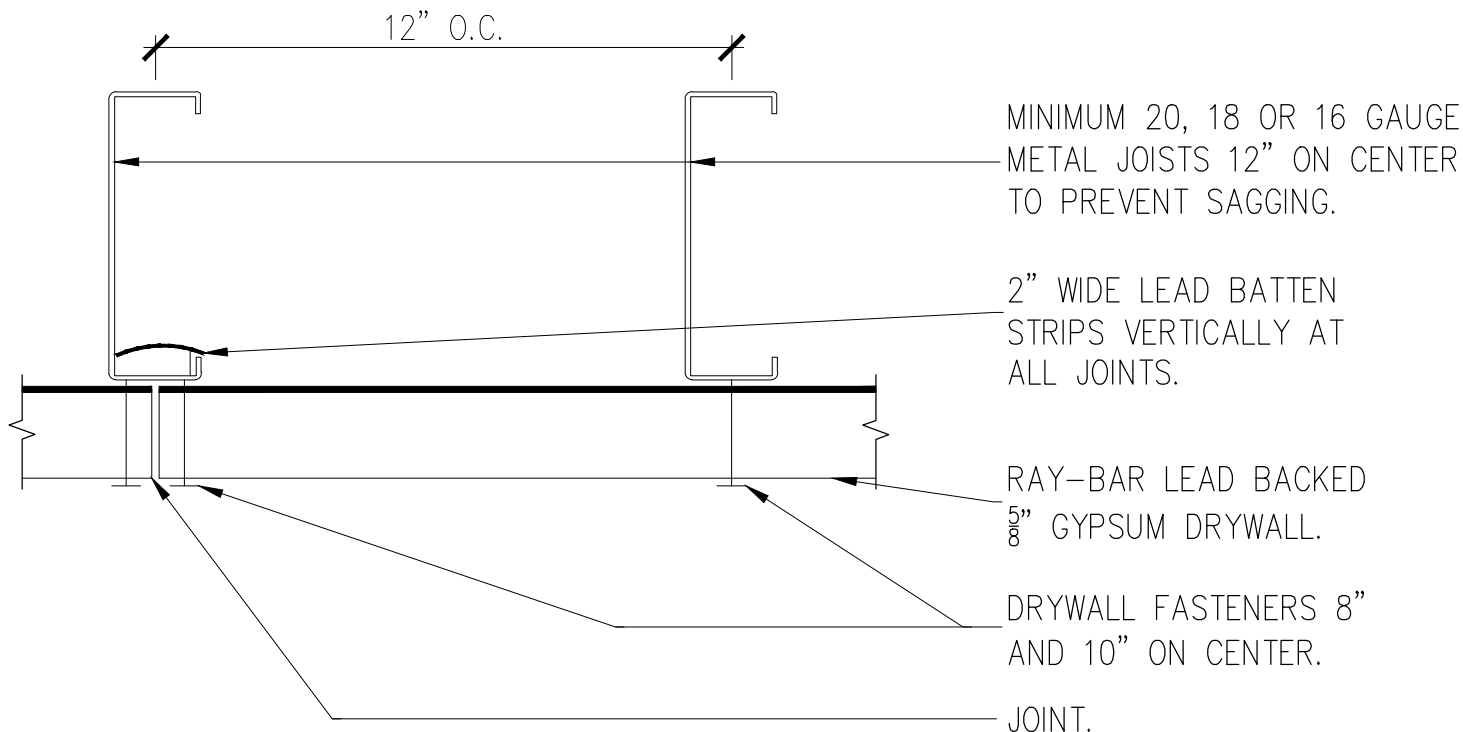


ADD BRACING/ KICKERS SUPPORT AS REQUIRED BY PROJECT STRUCTURAL ENGINEER.



LEAD THICKNESS AS REQUIRED ON RADIATION PHYSICIST SHIELDING REPORT.

#### GENERAL NOTES

JOISTS/STUDS MUST BE SET 12" ON CENTER FOR SUPPORT  
 PROJECT ENGINEER TO CALCULATE ALL LOADS, SEISMIC, FRAMING GAUGES, CENTERS, FASTENERS AND SUPPORTS  
 LEAD THICKNESS AS REQUIRED ON PROJECT RADIATION PHYSICIST SHIELDING REPORT  
 ALL PENETRATIONS IN LEAD LINED CEILING MUST BE BACKED WITH LEAD OF SAME THICKNESS AS REQUIRED ON SURROUNDING CEILING AREA

#### SPECIFICATION NOTES

RAY-BAR LEAD MEETS FEDERAL SPEC QQ-L-201F GRADE C (99.9% PURITY)  
 RAY-BAR GYPSUM BOARD MEETS CLASSIFICATION ASTM C36

TERM OF USE: CERTAIN DESIGN AND CONCEPTS ARE THE EXCLUSIVE PROPRIETARY AND WORK PRODUCT OF RAY-BAY ENGINEERING PROVIDED IN GOOD FAITH AS A COURTESY FOR THE ARCHITECTURAL DESIGN OF PROJECTS SPECIFYING, INCORPORATING AND UTILIZING GENUINE RAY-BAR PRODUCTS AND ASSEMBLIES. RAY-BAR DESIGN ARE NOT TO BE COPIED, ALTERED, PLAGIARIZED OR UTILIZED IN ANY COMPETITIVE OR DETRIMENTAL MANNER AGAINST RAY-BAR AS PROTECTED BY LAW AND/OR COPYRIGHTS. "ALL RIGHTS RESERVED"



JOB NAME:	
LOCATION:	
ROOM NUMBER:	
SHEET_OF_:	

RAY-BAR LEAD LINED CEILING

#### RAY-BAR ENGINEERING CORP.

TOOL FREE: 1(800) 444-XRAY/ 1(800) 444-9729  
 TELEPHONE : (626) 969-1818  
 24 HOUR FAX: 1(800) 333-XRAY/ 1(800) 333-9729  
 WEBSITE: WWW.RAYBAR.COM

SCALE  
 N.T.S.

CEILING